

POSTAL
REVENUE
DEPARTMENT

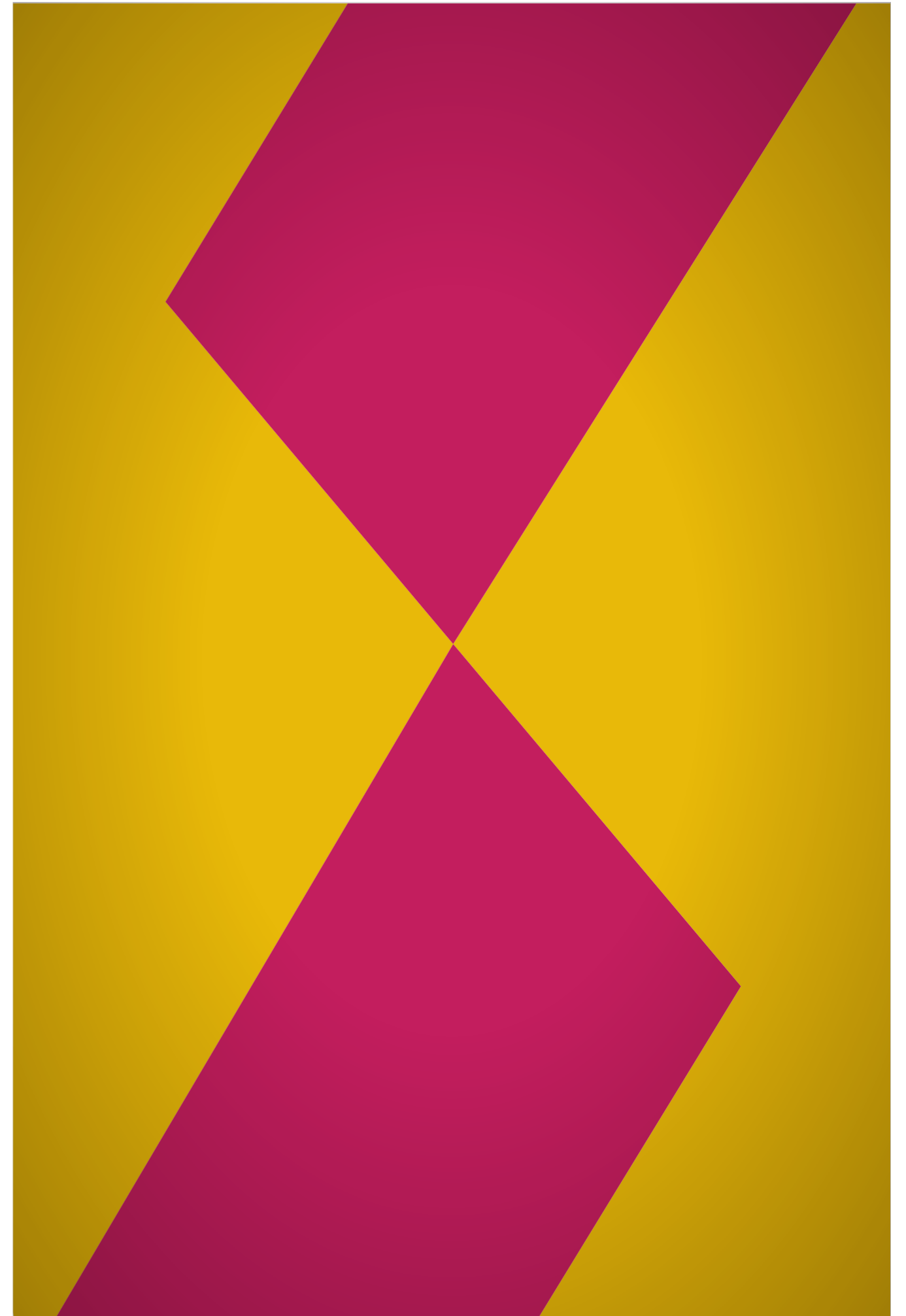
BROUGHT TO YOU BY  gibbon group CELEBRATING 95 YEARS!

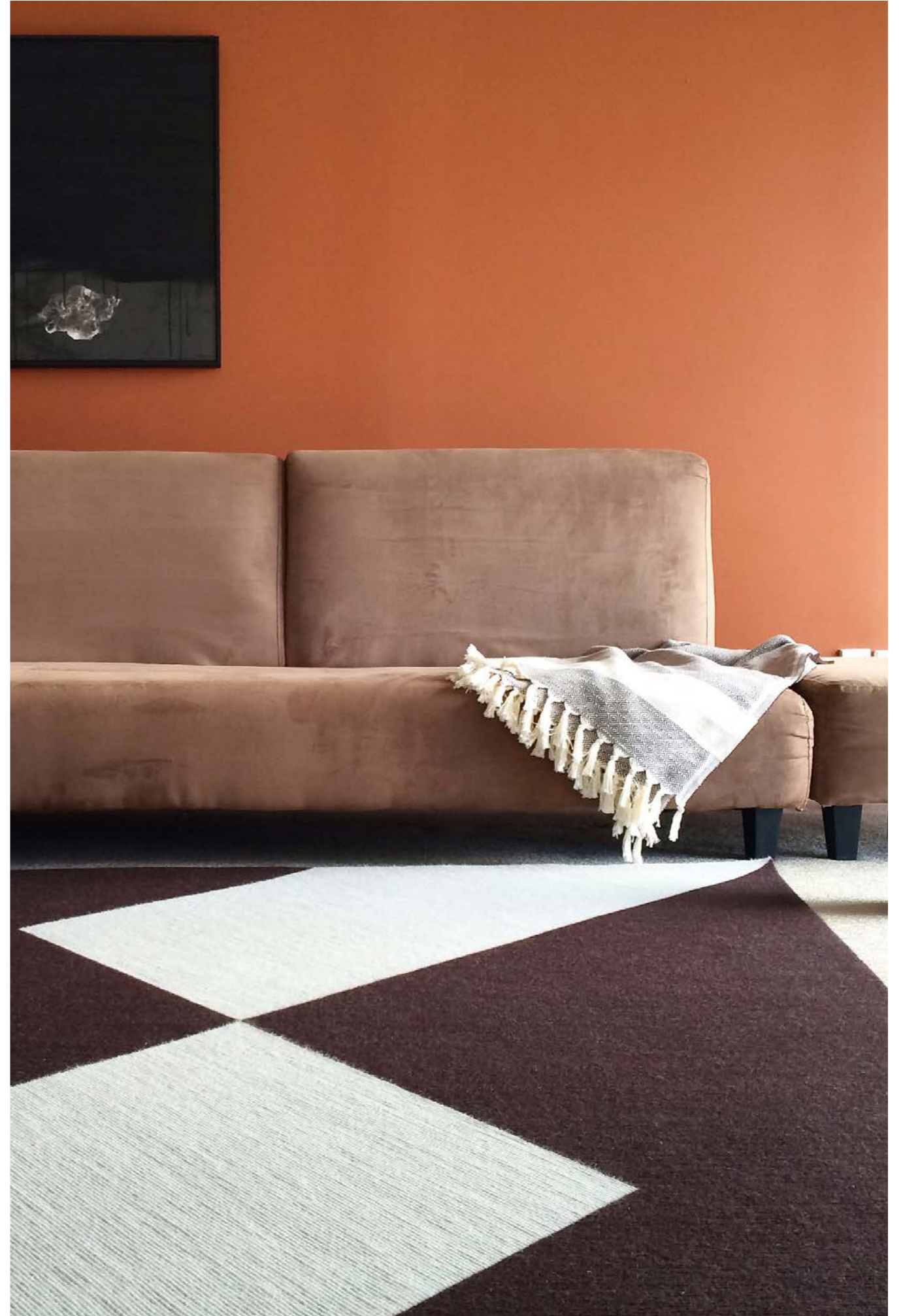
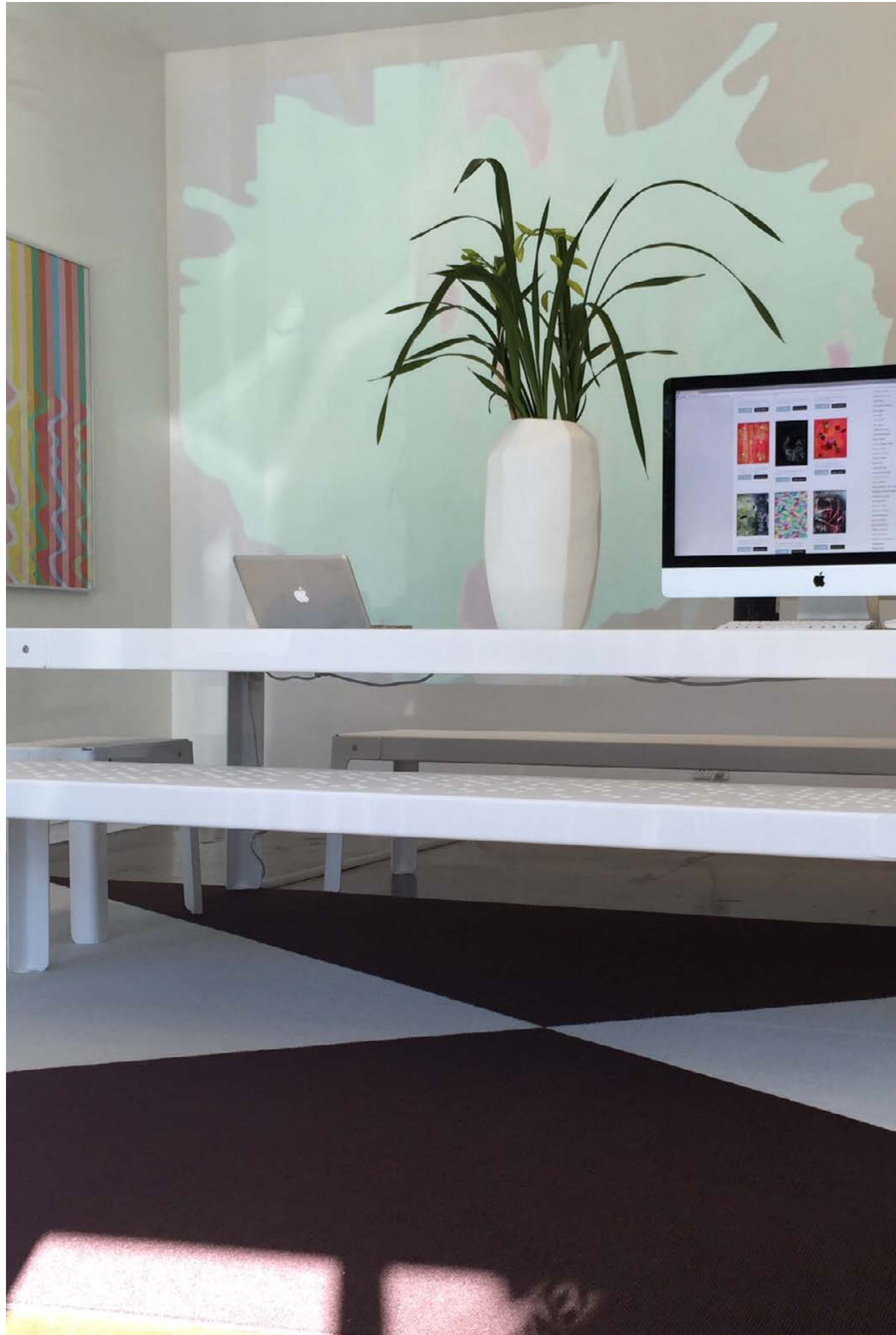
GREG MACLAUGHLIN

**CURIOUSLY
POSITIONED** COLLECTION USING **tretford**[®]
Custom Rugs

Tretford Custom Rugs offers limitless design capability and a vibrant colour palette with optimum durability. Tretford has a unique structural hard-edged construction and is dimensionally stable – this means Tretford will not fray or unravel at the edges and eliminates the need for conventional binding. The dimensional stability also gives you the flexibility to cut Tretford to any shape, giving you endless possibilities for custom designs. It is made with the highest grade Cashmere goat hair from renewable and sustainable resources.

We're proud to be able to bring you Greg MacLaughlin's CURIOSLY POSITIONED collection of Tretford Custom Rugs. All of the shapes and patterns are the results of Greg's unique programming method. For these works Greg wrote a program that created compositions where the ratios and patterns were generated through chance operations. Then came the long process of cycling through hundreds of potential compositions until he hit upon those that created a high level of dynamic activation. Greg says the key was to create shapes and color relationships that would shift very subtly as people move about and over the rugs."

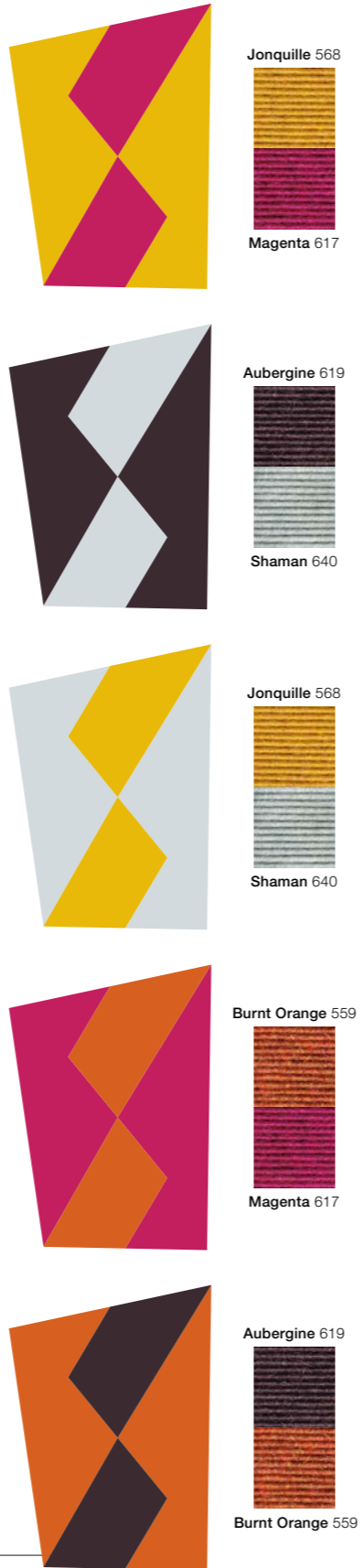




KNOCK

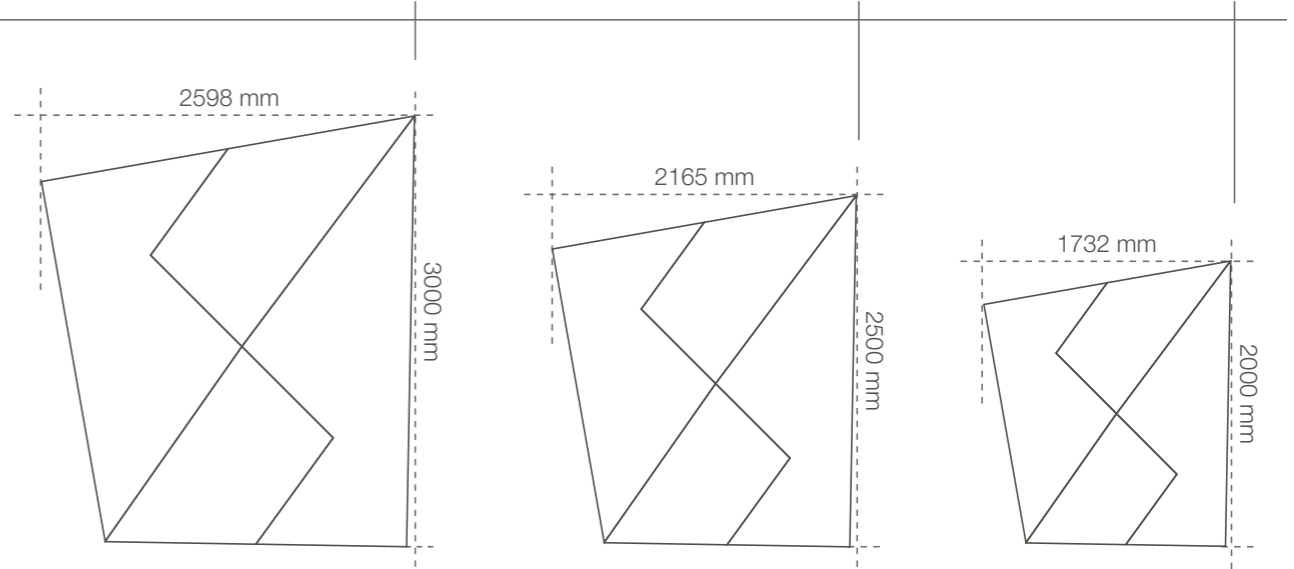


COLOURWAYS

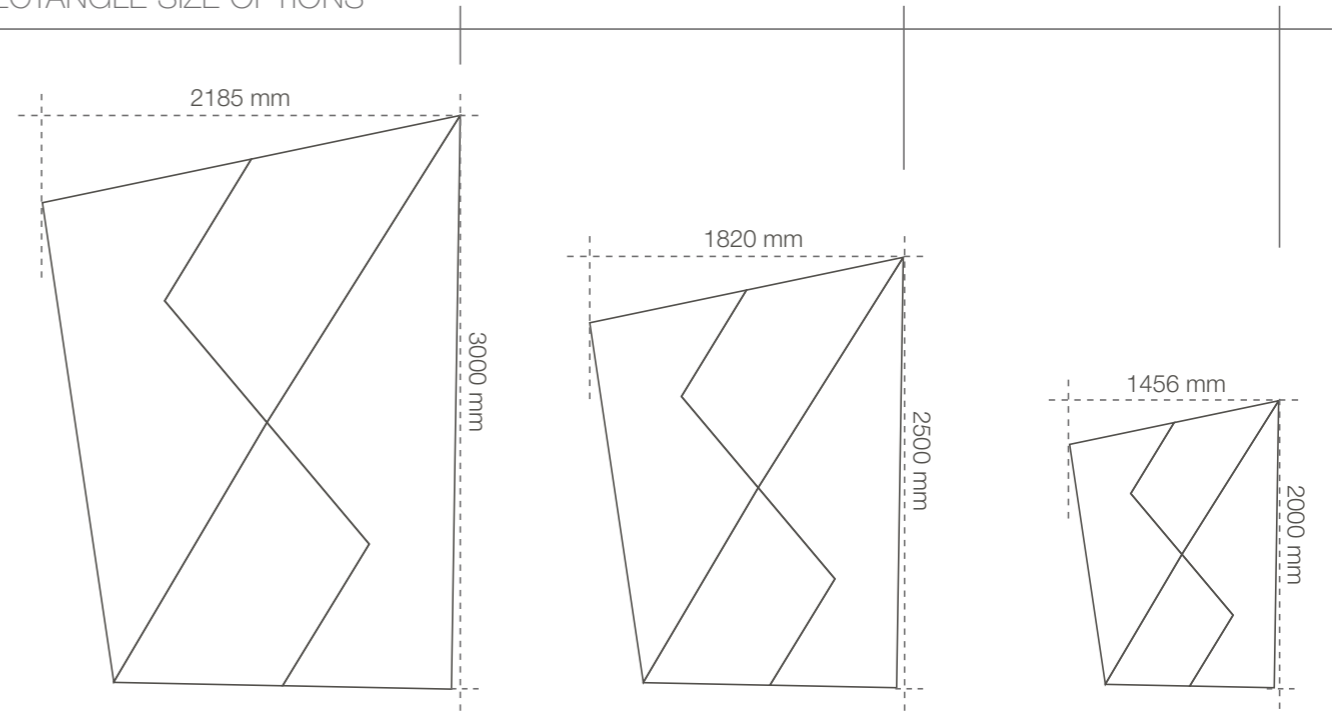


FORMATS

SQUARE SIZE OPTIONS



RECTANGLE SIZE OPTIONS

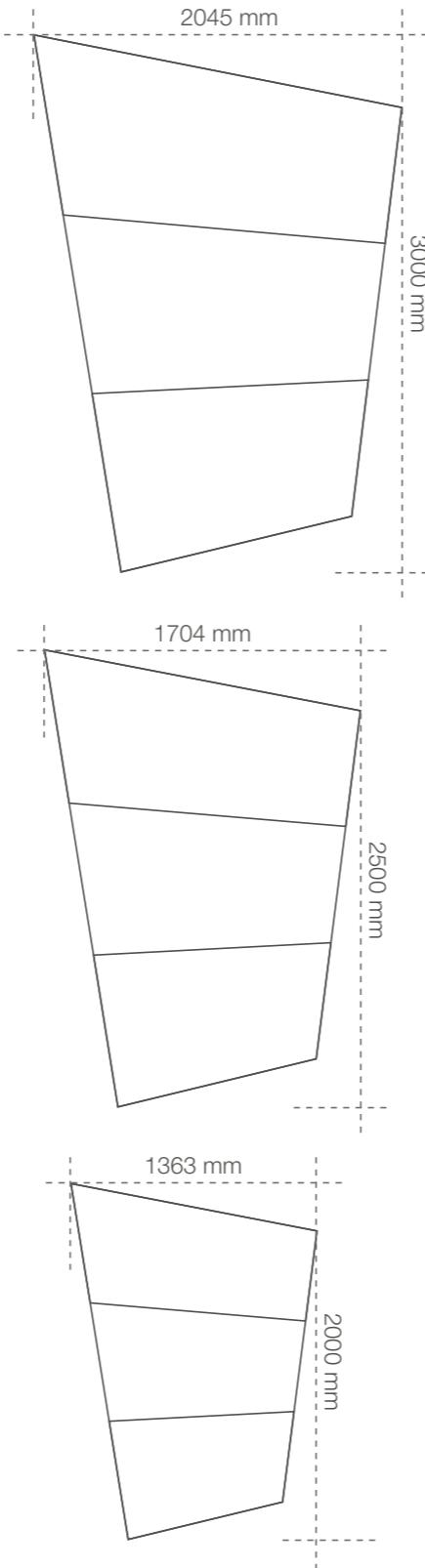


CURIOUSLY POSITIONED
DESIGNED BY GREG MACLAUGHLIN USING **tretford**
Custom Rugs

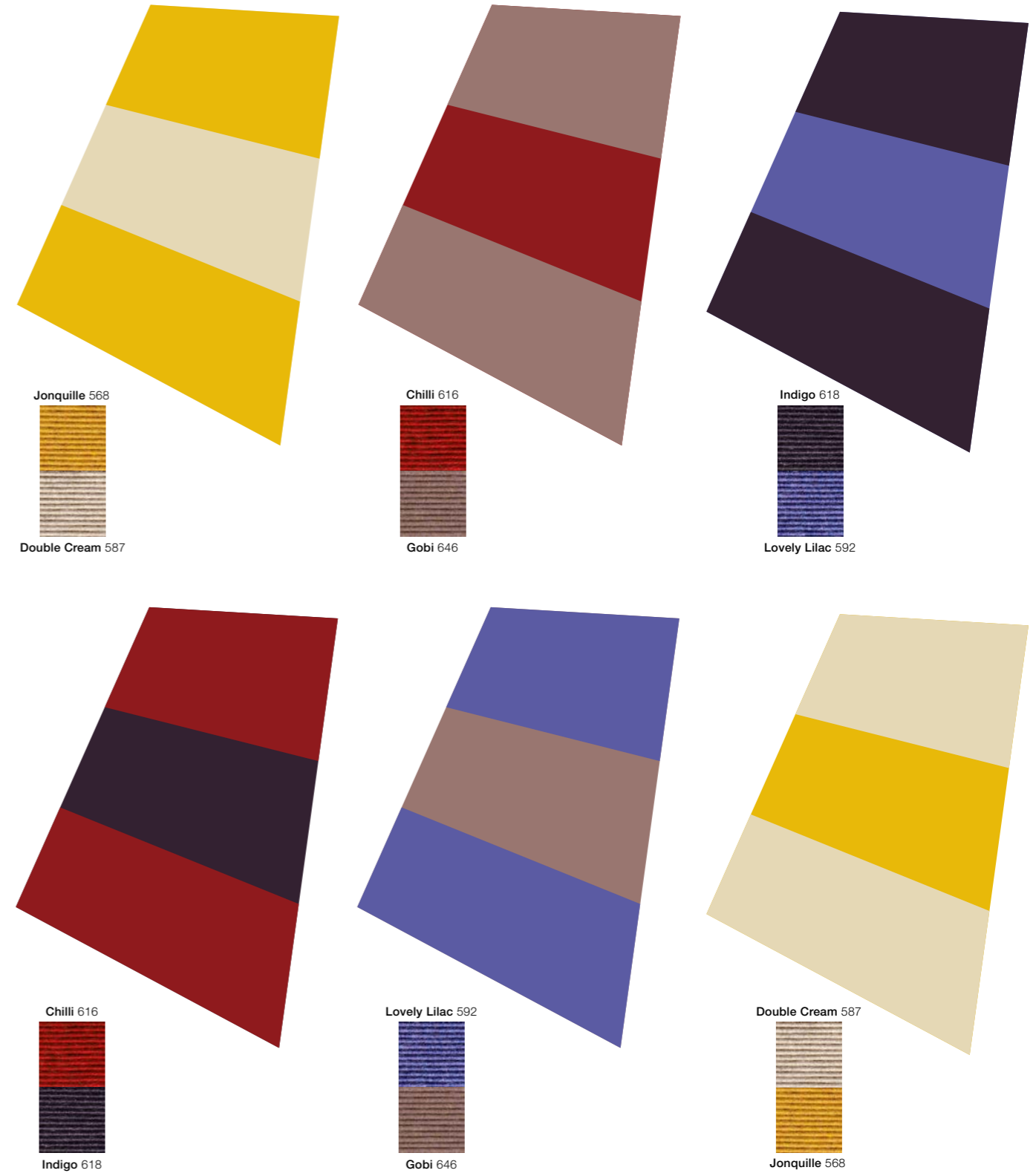
THREW



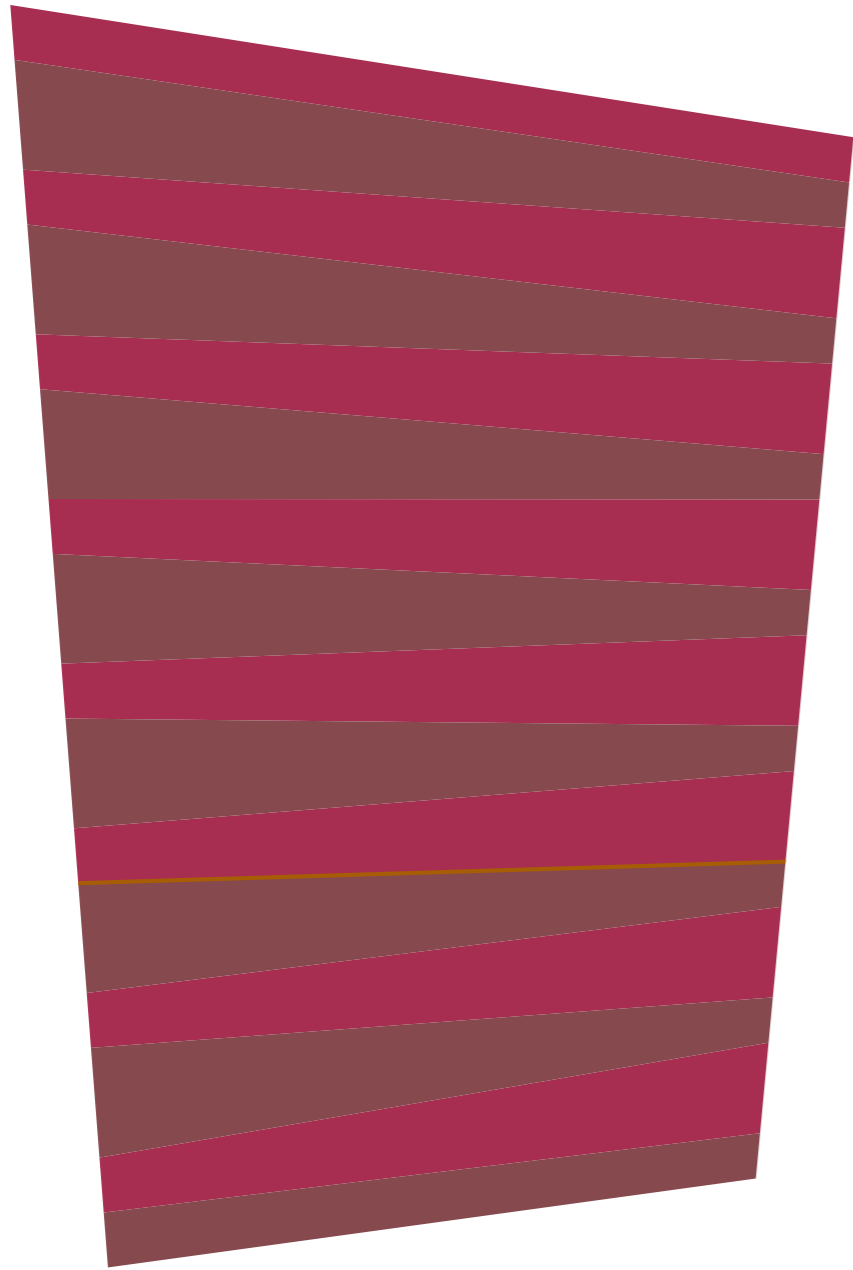
FORMAT SIZES



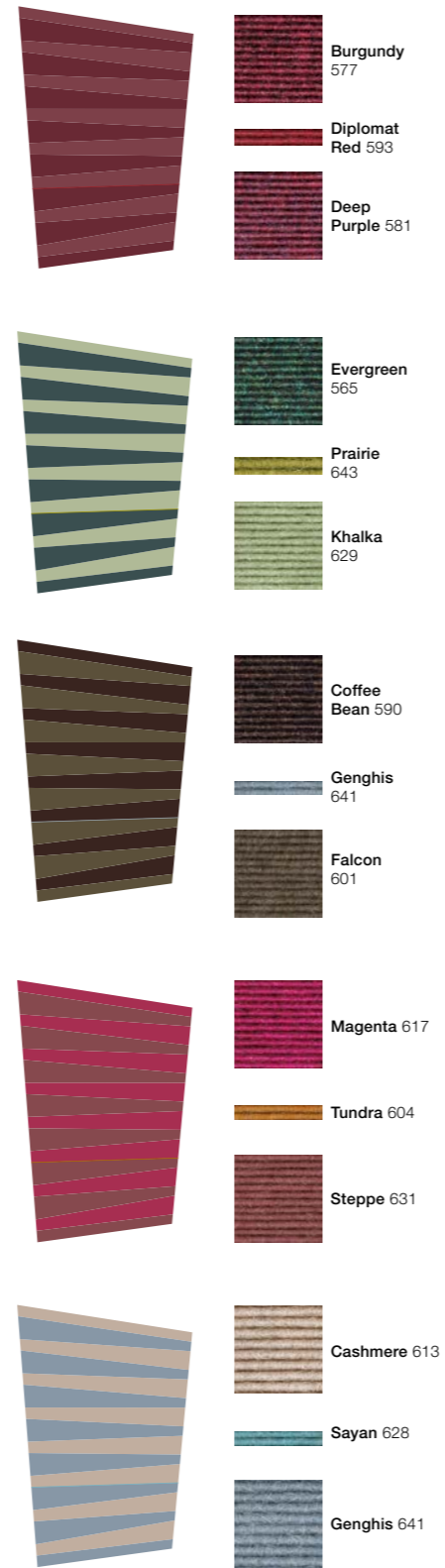
COLOURWAYS



FORGET

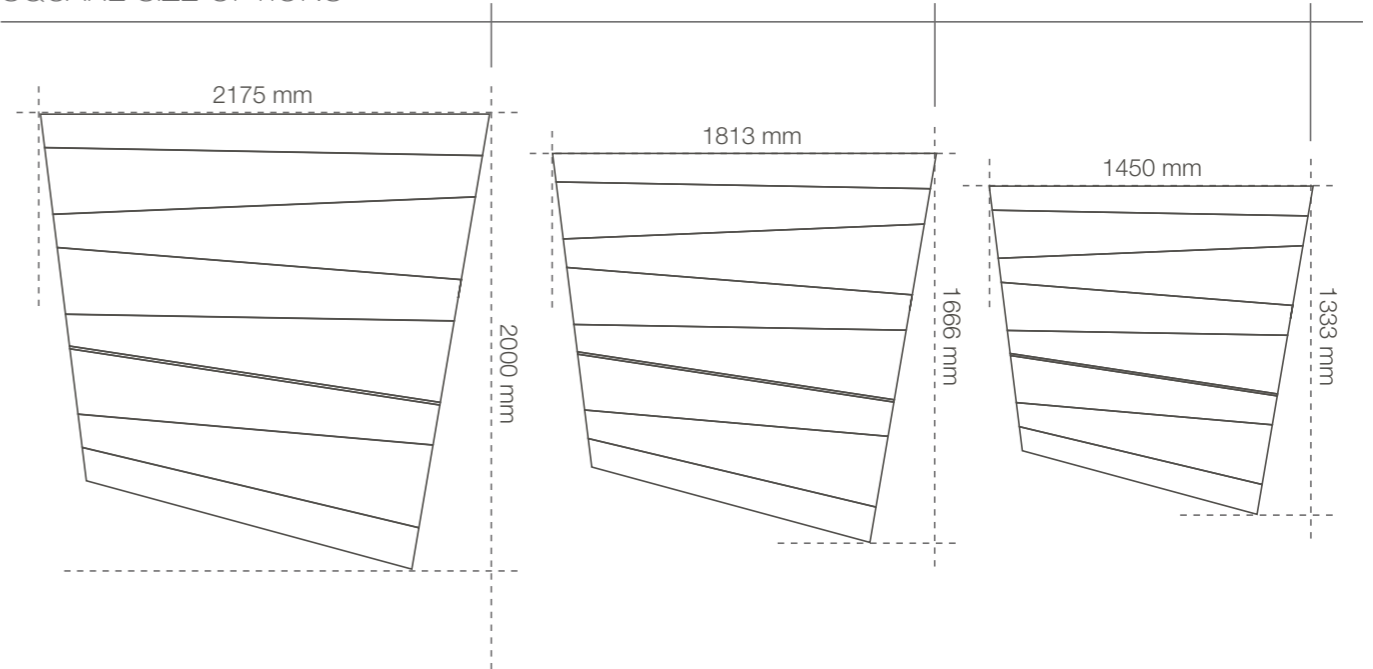


COLOURWAYS

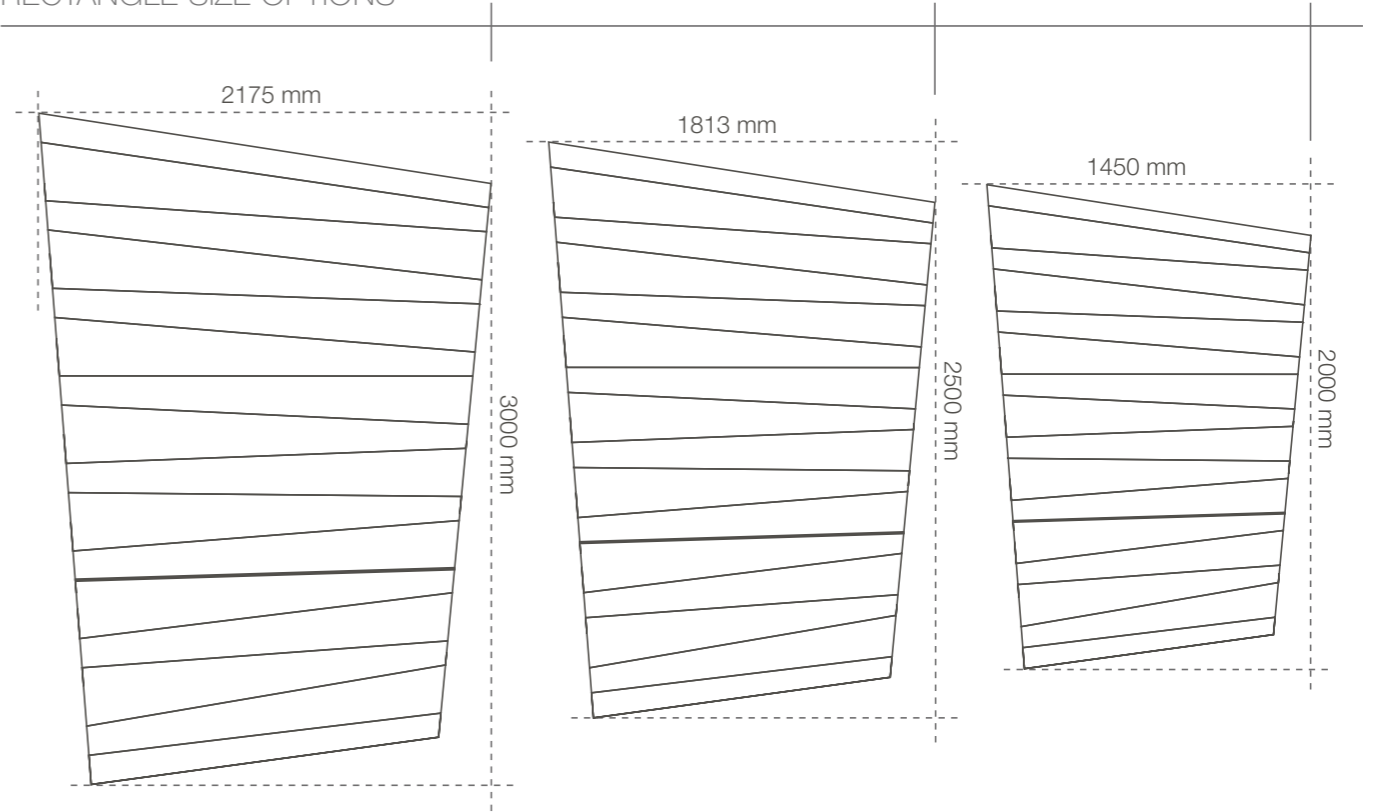


FORMATS

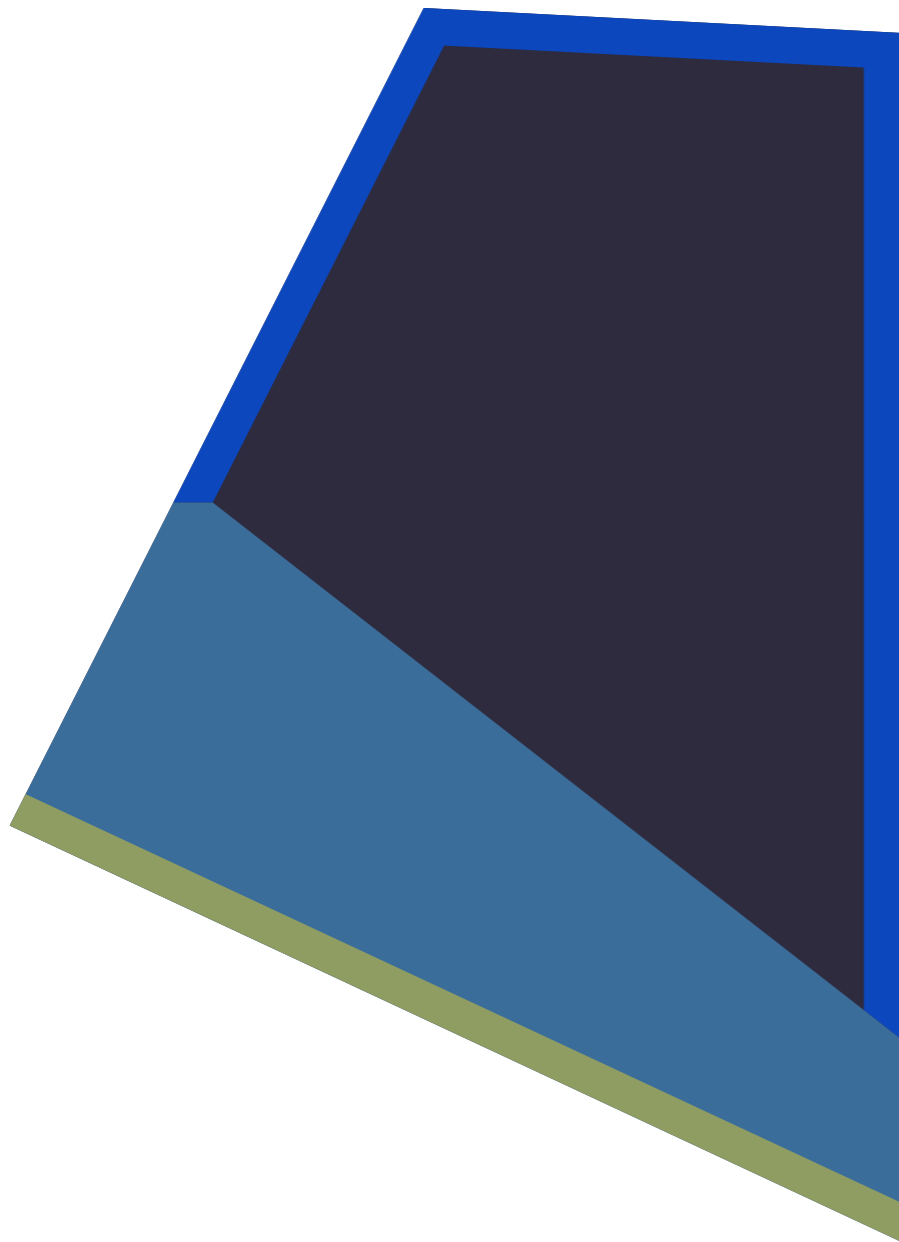
SQUARE SIZE OPTIONS



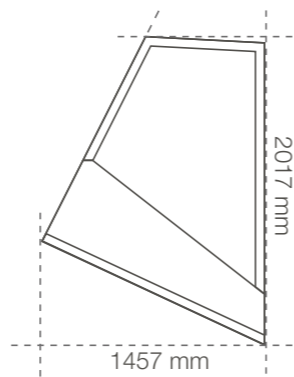
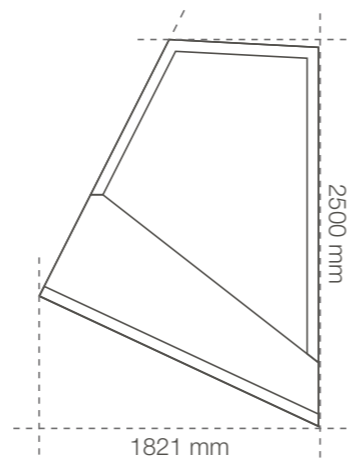
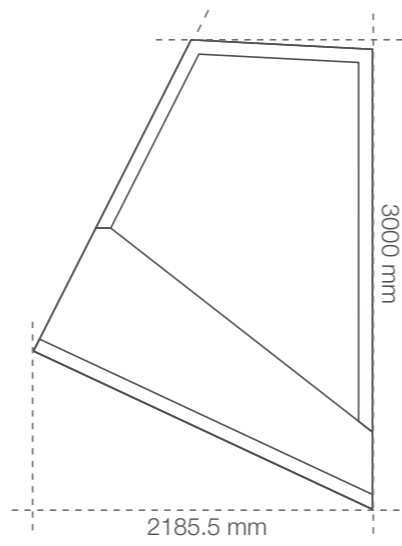
RECTANGLE SIZE OPTIONS



SILENTLY LIE



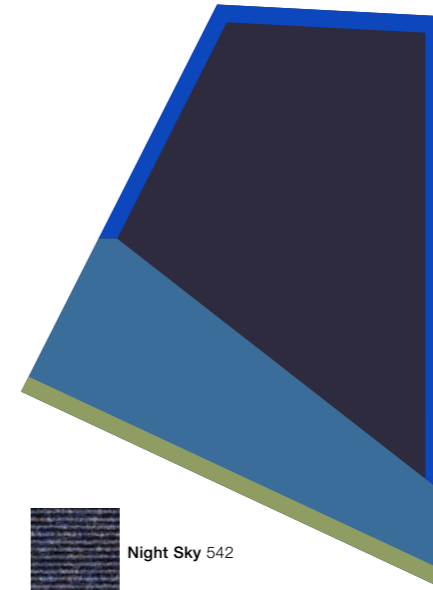
FORMAT SIZES



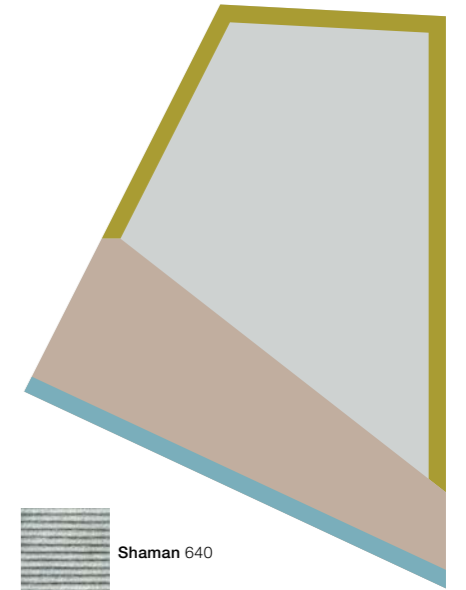
COLOURWAYS



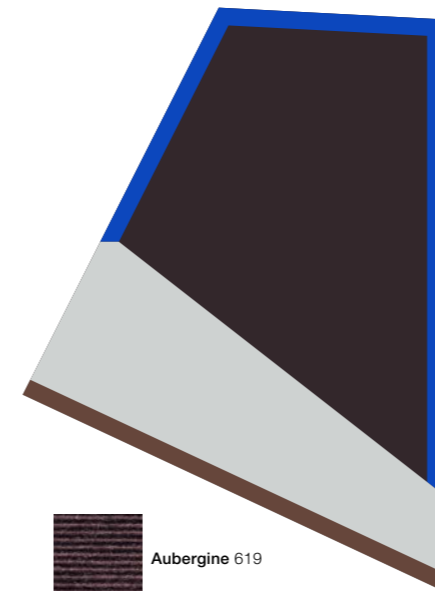
- Bilberry 514
- Night Sky 542
- Aegean 614
- Aquamarine 576



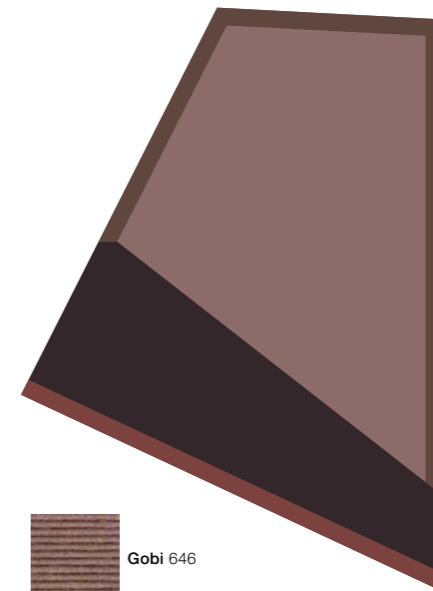
- Night Sky 542
- Bilberry 514
- Brilliant Blue 516
- Olive Tang 592



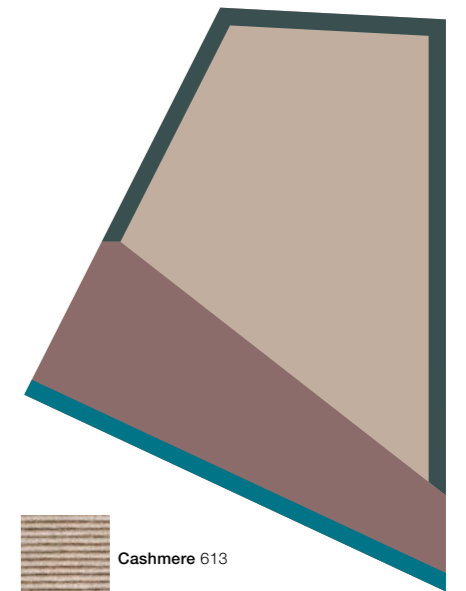
- Shaman 640
- Cashmere 613
- Prairie 643
- Sayan 628



- Aubergine 619
- Shaman 640
- Brilliant Blue 516
- Saddle 623



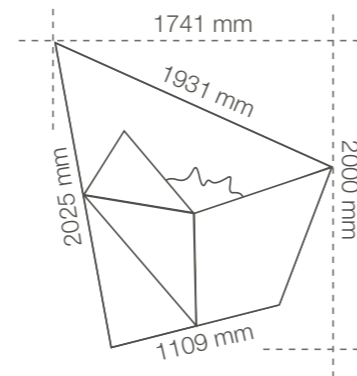
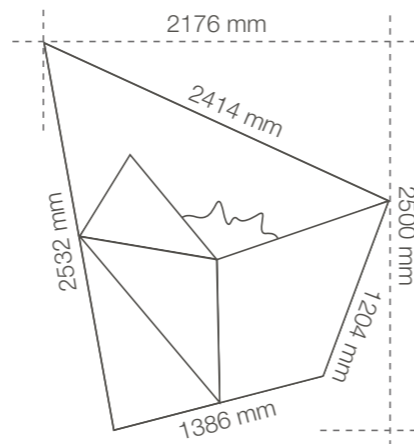
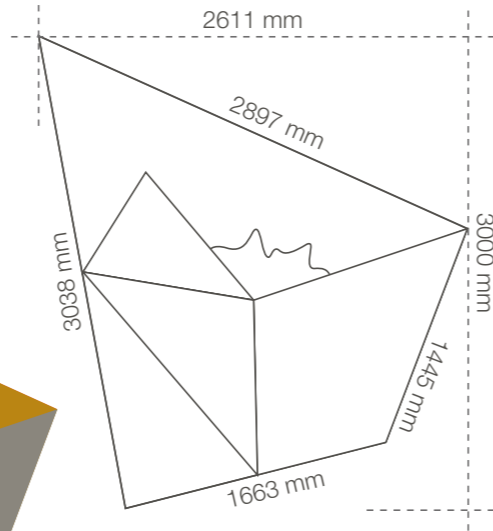
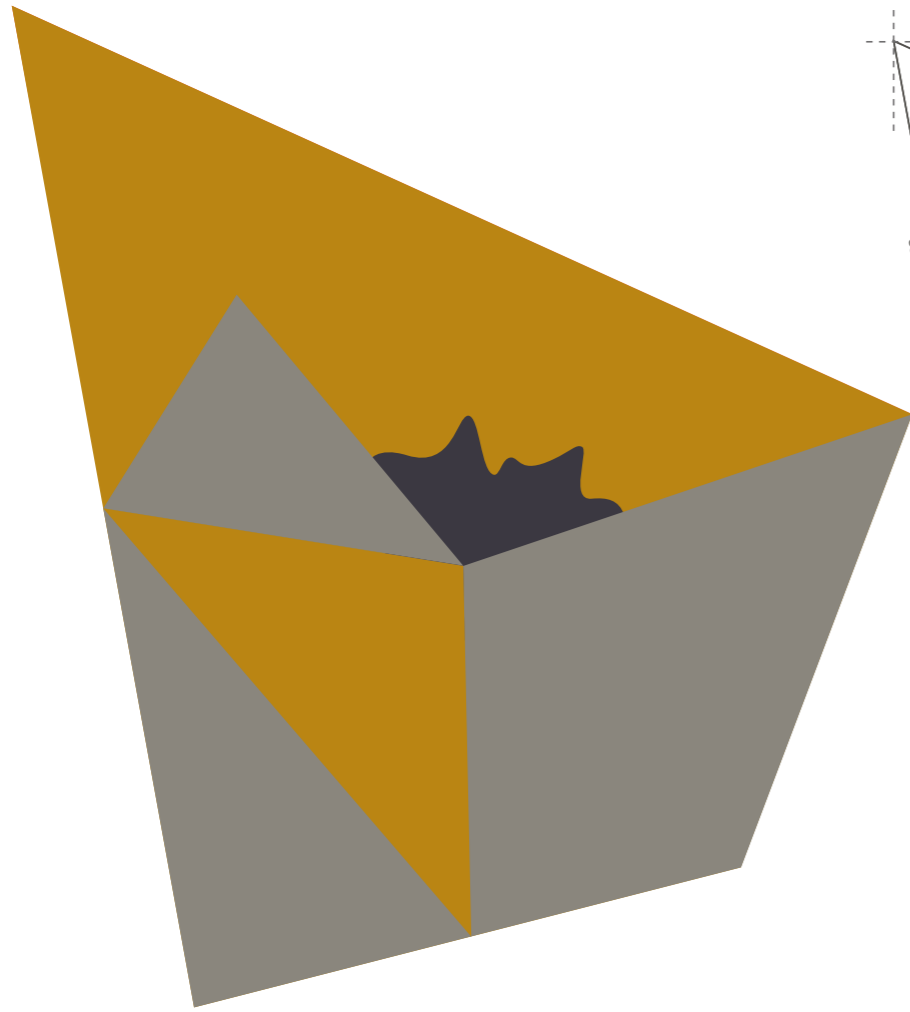
- Gobi 646
- Aubergine 619
- Saddle 623
- Steppe 631



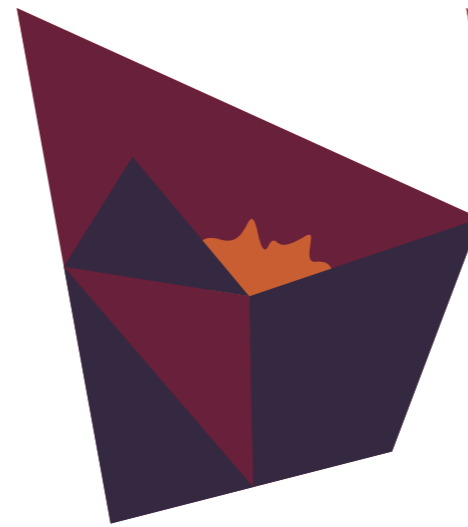
- Cashmere 613
- Gobi 646
- Evergreen 565
- Aegean 614

TWIST

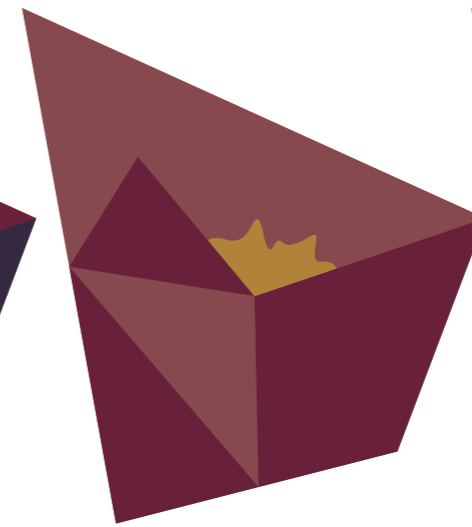
FORMAT SIZES



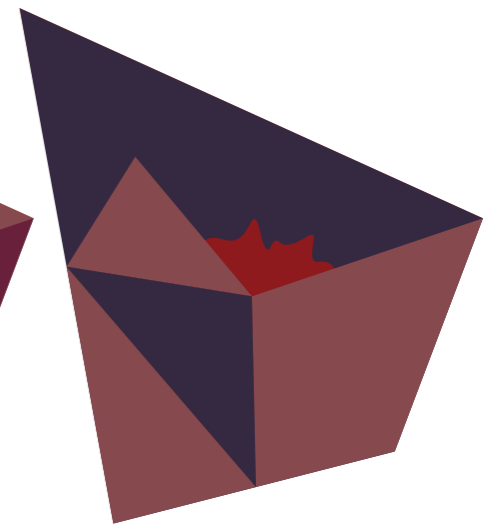
COLOURWAYS



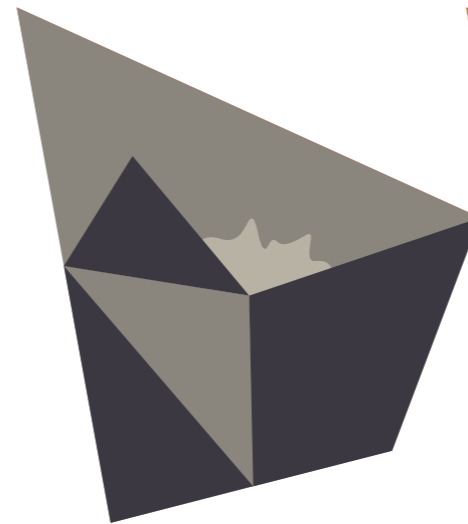
- Deep Purple 581
- Burnt Orange 559
- Indigo 618



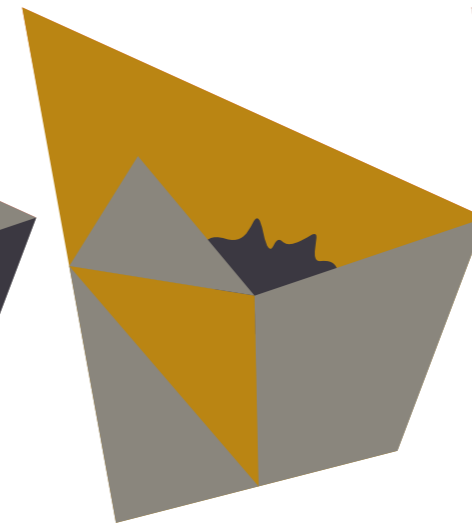
- Steppe 631
- Tundra 604
- Deep Purple 581



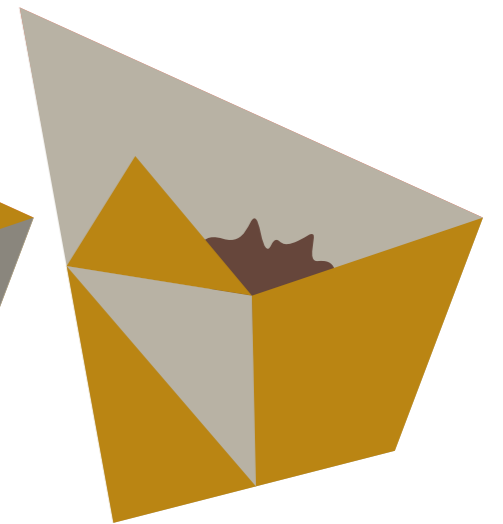
- Indigo 618
- Chilli 616
- Steppe 631



- Apple 528
- Uzbek 515
- Dapple Grey 512



- Jonquille 568
- Dapple Grey 512
- Apple 528



- Uzbek 515
- Saddle 623
- Jonquille 568

GREG MACLAUGHLIN

CURIOSLY
POSITIONED COLLECTION USING **tretford**[®]
Custom Rugs

BROUGHT TO YOU BY  **gibbon group** CELEBRATING 95 YEARS!

Gibbon Group
Australian manufacturers
of Tretford Custom Rugs

T: 07 3881 1777
F: 07 3881 1716

www.gibbongroup.com.au
tret rugs@gibbongroup.com.au

Find GibbonGroup on:

